

## LEXINGTON PRO (ISO LEGEND) EMERGENCY SELF TEST EXIT BOX INSTRUCTIONS

Issue 02 22<sup>nd</sup> December 2021

**THANK YOU** for purchasing this product. To help ensure it gives complete satisfaction please install it according to these instructions and then pass the instructions to the appropriate person for retention and future reference.

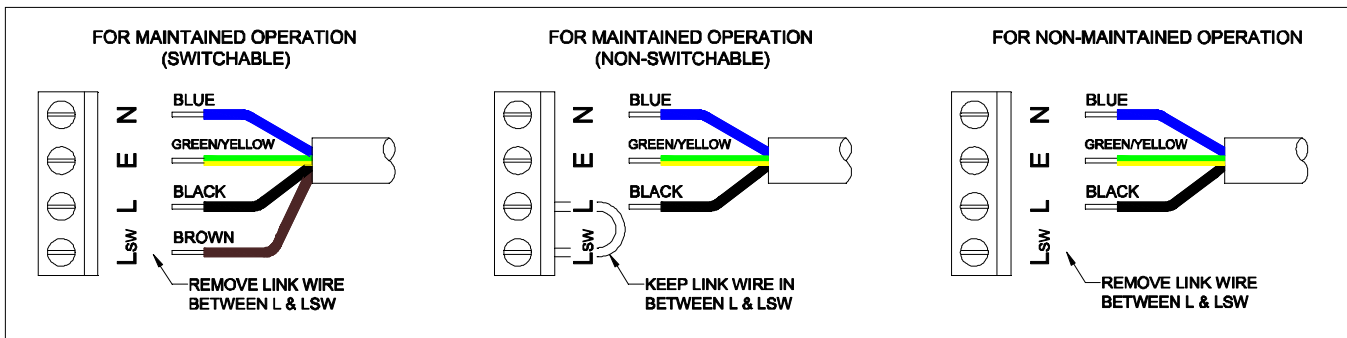
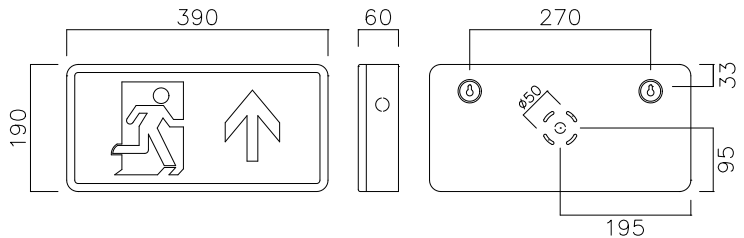
**SAFETY** This is a mains voltage powered luminaire. It is designed to be installed by suitably qualified personnel only and in accordance with the applicable building and electrical regulations. Before installation or maintenance, the electrical supply to the luminaire must be isolated.



**INSTALLATION SUPPORT** If installation advice or accessories are required, please contact us at the above address. When reporting a suspected fault or seeking installation support the problem is likely to be resolved more quickly if you have full product details to-hand, as well as details of when and where it was purchased.

### LUMINAIRE INSTALLATION

1. Remove front frame & legend panel by unscrewing the two screws on the bottom face & hinging upwards to release the tabs on the top face.
2. Select a suitable fixing method to secure the base of the fitting to the chosen mounting surface, using the pierced in mounting points provided.
3. Select one of the available cable entry points (on rear or side faces) & knockout the metal tab if applicable.
4. Depending on which product you have, determine your required function & route appropriate power supply cable(s) to the terminal block & terminate as shown. **WARNING: THIS FITTING MUST BE EARTHED**



5. Connect the battery pack to the end of the LED strip by connecting the female socket on the battery wires to the male plug mounted on the PCB, ensuring the correct orientation.
6. Enter the "Installation Date" in the appropriate place on the battery pack label.
7. Fit the fuse (supplied in poly bag) into the fuse holder on the main PCB
8. Refit the front frame & legend panel & secure using the two screws. Change legend panel if a different direction of arrow is required – These are available as separate items from NVC.
9. Connect the power supply & check the green LED charge indicator mounted on the bottom face illuminates.

### ALTERNATIVE LEGEND PANELS

This product comes as standard with the ISO legend. Alternative direction ISO legends & Euro legends are also available from NVC – Please contact your local supplier.

### OPERATION / MAINTENANCE

1. **This unit is using Lithium Iron Phosphate cell (LiFePO4) in its battery pack. These batteries require close monitoring and protection circuitry to operate safely. This pack uses a dedicated protection built into the module unit. Ensure like for like batteries are used in any replacement maintenance.**
2. Nominal battery life is designed to be at least 4 years. The battery should be replaced when it no longer achieves its 3-hour rated duration.
3. **DO NOT INSULATION TEST.**
4. Ensure cleanliness of the luminaire is maintained so as not to affect performance.

The luminaire operating temperature range is 0°C - +40°C.

## SELF TEST FUNCTION

This product comes with a built-in self-test facility. Once given a permanent mains supply, the luminaire will automatically carry out a monthly functional check & an annual full duration test, in line with the testing procedures to BS 5266 and BS EN 50172.

### Initial Test

- After receiving a permanent mains power supply, the luminaire will undertake a short (30s) function test, then charge for 24 hours before carrying out a 3-hour duration test. **Do not interrupt the mains power supply during this period.**
- During this test the LED module will illuminate & the green LED indicator will rapidly flash red.

### Monthly Function Test

- After installation the luminaire will carry out a 30 second function test. This will be selected randomly between day 15 to day 30 after installation so that all self-test products do not go into a self-test at the same time.
- During this test the LED module will illuminate & the green LED indicator will rapidly flash red.
- This test will then be repeated every 30 days.

### Annual Duration Test

- After 11 monthly function tests, the luminaire will carry out a full rated duration test.
- The test will last 3 hours.
- During this time the LED module will illuminate & the green LED indicator will rapidly flash red.

## FAULT INDICATORS

If during the self-test a fault is detected, it will be indicated as follows by the RED status indicator:

- **1 flash every 3 seconds** – Fault with battery. Maybe a battery failure & requires changing, or not connected properly.
- **2 flashes every 3 seconds** – Fault with LED module.
- **3 flashes every 3 seconds** – Duration time not being met so batteries will need to be replaced.

## NOTES

1. After completion of the tests listed above the luminaire will repeat the process of 11 monthly function tests & 1 annual duration test.
2. If there is a power outage before any of the tests, the luminaire will delay the test appropriately to ensure a minimum 24 hours charge is received.
3. A fault indication will continue until the fault is rectified.
4. A reset of the mains supply will be required to clear the fault code once it has been rectified.

## MANUAL TESTING

Manual testing over and above the preset self-test schedules is NOT recommended.